

Ville ^{AV50}

Anderssen & Voll

2025



Ville ^{AV50}

Anderssen & Voll

2025



H: 30 cm / 12 in

W: 90 cm / 35 in
D: 90 cm / 35 in

Product description

Outdoor coffee table

Environment

Outdoor

Material

Teak wood and powder-coated steel. This product has not been treated with any biocides.

Production process

The metal is cut, shaped, welded then powder-coated. The teak wood is milled into shape then sanded and left untreated but smooth.

Dimensions

W: 90 cm / 35 in
D: 90 cm / 35 in
H: 30 cm / 12 in

Weight

20.1 kg

Strength, durability and safety testing

EN 15372 Level 2 - Tables
EN 581 - Outdoor furniture

Certifications



FSC® 100%

Gliders

Plastic gliders

- #### Impact
- Made with untreated teak, a natural, renewable material, resistant against weather conditions and ageing gracefully.
 - Uses FSC® certified wood, supporting responsible management of the world's forests.
 - Framed in steel, a robust material, resistant against corrosion.
 - Steel is highly recyclable and can be repurposed in another production cycle, reducing the demand for new material.
 - Designed for disassembly, making it easier to repair, renovate, pass on, and responsibly recycle at end of life..

Cleaning Instructions

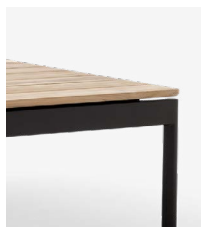
[Please see our Maintenance & Care instructions here](#)

Manufacturer

Produced in PRC by Nine United Limited

→ Stock items

Warm Black, Bronze Green



→ Warm Black



→ Bronze Green

Recycling & Disassembly

Ville ^{AV50}

RECYLING

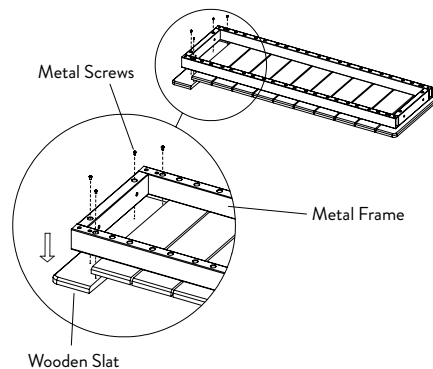
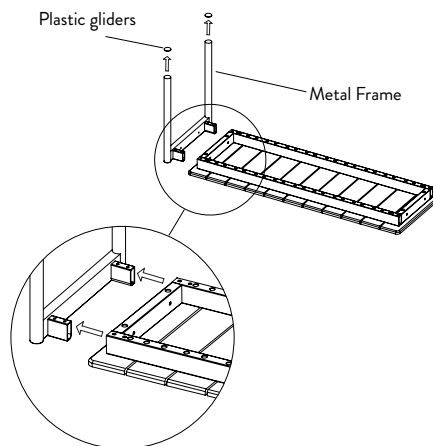
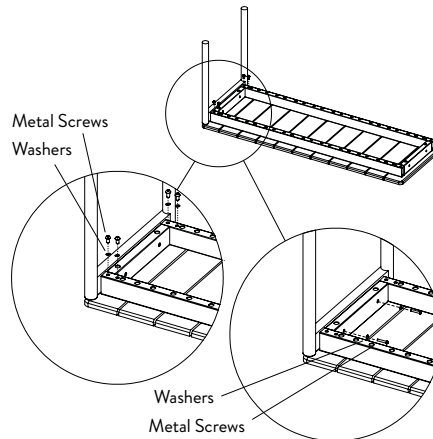
The Ville coffee table is built to last, and we hope that your Ville will serve you for many years. The table top is made from solid wood slats and can be easily separated from its base. All metal and wooden parts can be separated and delivered to a suitable recycling station.

SPARE PARTS

To purchase spare parts for your Ville coffee table, please write to our sales support team at info@andtradition.com with your query.

5 YEAR WARRANTY

&Tradition provides a 5-year warranty with every Ville coffee table, which covers faults which were present at the time of purchase, or which have occurred as a result of a manufacturing defect. The warranty is valid from the date stated on the original invoice.



DISASSEMBLY

1. Place the table upside down on a soft, flat surface. Using an Allen key, remove the screws connecting the metal frame to the legs by turning counterclockwise to loosen them. Once loosened, remove both the screws and washers. Repeat this process for the long screws on the table head.

2. Remove the legs from the frame and tabletop by sliding off. If you encounter any resistance, ensure all screws from the previous step have been removed. Detach the plastic gliders from the legs.

3. Remove the wooden slats from the metal frame. Therefore unscrew the screws securing them in place.