

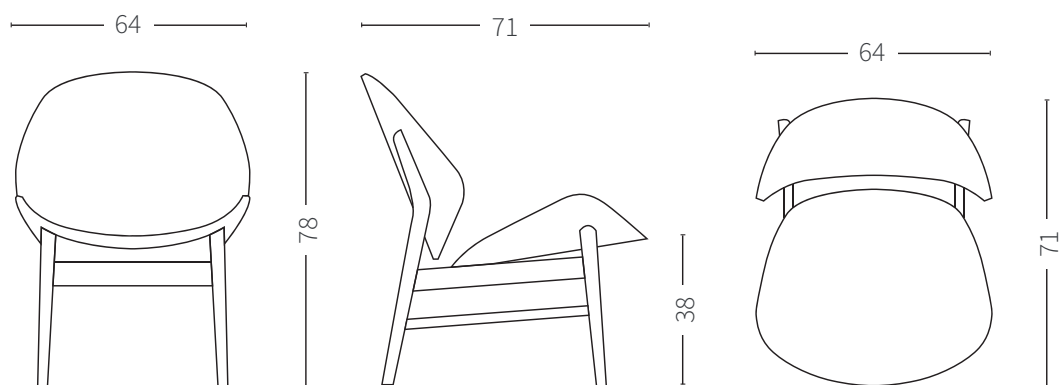


**WARM**  
NORDIC

## The Orange

This light, elegant chair was designed in the 1950s by the Danish architect, Hans Olsen. Thanks to its classic expression, The Orange chair will complement either a contemporary or more timeless interior as an effortless addition to the existing furniture in the home. Hans Olsen's The Orange chair is one of the earliest known shell chairs and acquired its name because of its characteristic back and seat, which are reminiscent of orange peel. Reflecting both the era's experiments with colour and the architect's own playful attitude to design, this upholstered shell chair is also available in a two-tone version. The chair is also referred to as 'Model 134'.

**Product name:** The Orange  
**Designer:** Hans Olsen  
**Design year:** 1955  
**Furniture type:** Lounge Chair  
**Launched:** 2018



#### KEY FACTS

- Classic timeless design
- Moulded plywood seat and back with solid wood frame
- Comfortable seating
- High quality fabric/leather
- Available in three versions: without upholstery, with seat upholstery and with seat and back upholstery
- FSC® certified

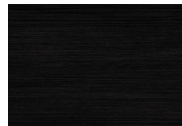
#### MATERIAL

**Material frame:** Solid wood  
**Material seat and back:** Moulded plywood. Outer veneer in sliced oak. 7 inner layers made of beech  
**Finishes:** White oiled oak, smoked oak, black lacquered oak  
**Upholstery types:** No upholstery, seat upholstery, seat and back upholstery  
**Padding:** Seat and back padding in 20 mm high-resilience cold-cure foam HR60

#### TEST

The Orange fulfills the requirements in EN 1022:2005 and EN 16139:2013 L1.

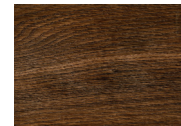
#### WOOD FINISH



Black lacquered oak  
NSC S 9000-N,  
gloss 5



White oiled oak



Smoked oak

#### DIMENSIONS

**Length/width:** 64 cm  
**Depth:** 71 cm  
**Height:** 38/78 cm  
**Weight:** 9 kg  
**Max load:** 110 kg

#### PACKAGING

**Amount of packages:** 1  
**Box dimensions** L71 x W64 x H80 cm – 0,402 m<sup>3</sup>  
**Box weight:** 10 kg  
Cardboard  
1 mm foam bag  
All packaging material can be recycled.

## ENVIRONMENT

Parts can be separated and sorted for recycling.  
Most fabrics are available with EU Ecolabel, OEKO-TEX certification, and/or Greenguard mark.  
Fabrics made from recycled plastic are available.  
Available with fire retardant foam according to California Bulletin 117.  
Available with CMHR foam according to BS 5852, crib 5 upon request.  
All formaldehyde emissions on glues and lacquers are according to E1 standard and CARB phase 2.  
Formaldehyde emissions according to TSCA.  
Complies with Proposition 65 (Californian Safe Drinking Water and Toxic Enforcement Act).  
Wood from FSC® certified forests and other controlled sources.



The mark of  
responsible forestry

